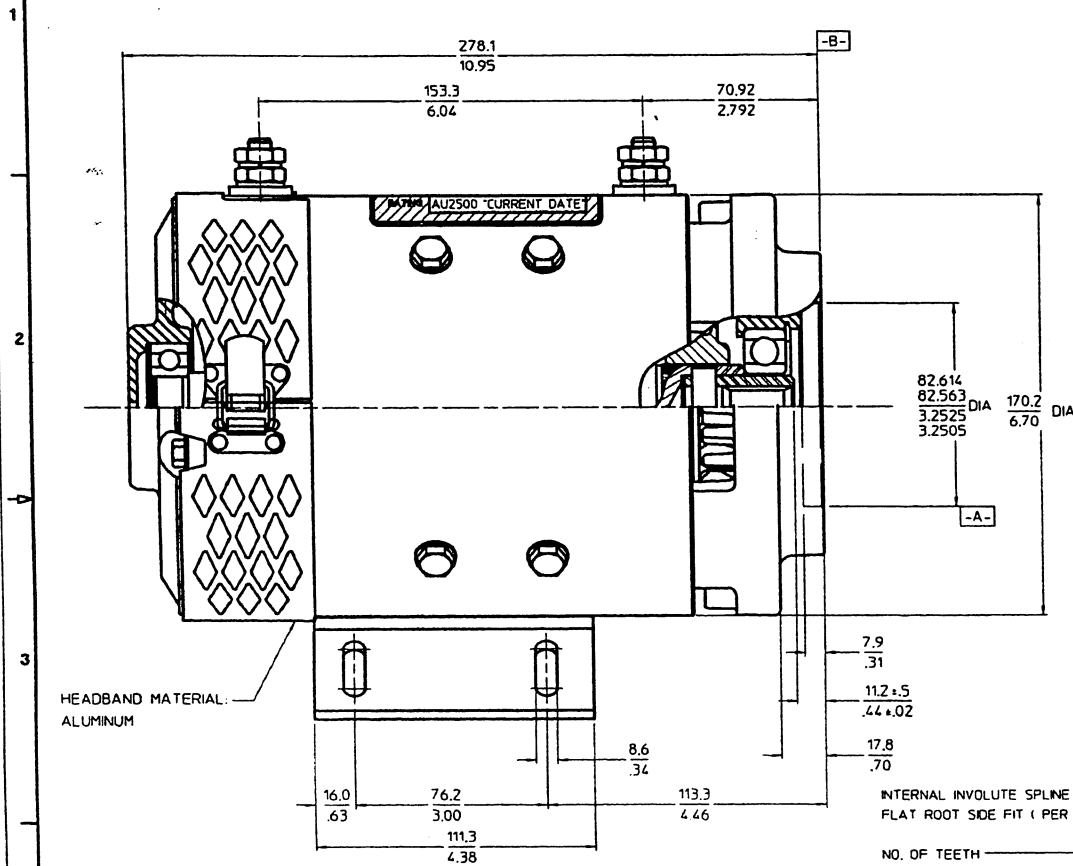


Notice - Advanced D.C. Motors, Inc. claims proprietary rights in the information disclosed on this drawing. It is issued in confidence for engineering information only and may not be used, in whole or in part, to manufacture anything, whether or not shown herein, reproduced or disclosed to anyone without direct written permission from Advanced D.C. Motors, Inc.

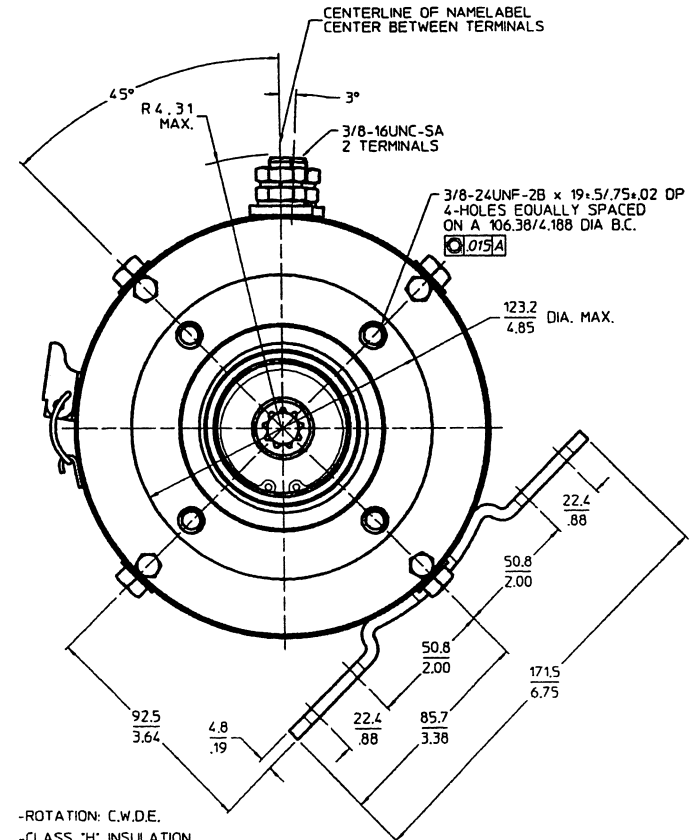
OUTLINE DIMENSIONS ARE NOMINAL UNLESS TOLERANCES ARE SPECIFIED



INTERNAL INVOLUTE SPLINE DATA
FLAT ROOT SIDE FIT (PER A.N.S.I. B92.1 CLASS 5)

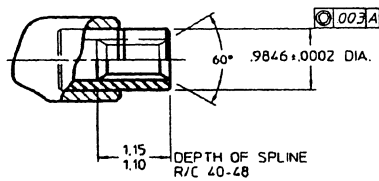
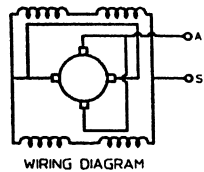
NO. OF TEETH _____ 9
 SPLINE PITCH _____ 16/32
 PRESSURE ANGLE _____ 30°
 BASE DIA _____ .671 REF
 PITCH DIA _____ .5625 REF
 MAJOR DIA _____ .651
 FORM DIA _____ .629
 MINOR DIA _____ .509 -.514

CIRCULAR SPACE WIDTH
 MAX ACTUAL _____ .1008
 MIN. EFFECTIVE _____ .0982
 MAX DIMENSION BETWEEN TWO PINS _____ 3972
 PIN DIA _____ .1080



-ROTATION: C.W.D.E.
 -CLASS 'H' INSULATION
 -FINISH: FRAME-BAKED BLACK PAINT
 END HEADS-NATURAL ALUMINUM
 -DESIGNED WITH THE INTENT TO MEET
 U L SPEC #583 LATEST EDITION FOR
 TYPE 'E' & 'EE' INDUSTRIAL ELECTRIC TRUCKS
 -TEST TO CURVE: C-20
 -MOTOR WEIGHT: 49LBS/22KGS

36 VOLT



Zone		Rev	Was	By	Date	Approved Sign		The prop. is the property of Advanced D.C. Motors, Inc. and information of general interest to our customers is not shown on this drawing.		Advanced D.C. Motors, Inc. Syracuse, N.Y.		
M		REDRAWN IN CAD. P/R 3992	P/JH	05-03-01			Name PUMP MOTOR OUTLINE		Scale FULL		Drawn RWS	
						Date 01-15-90		Part No S90		NO. XP		