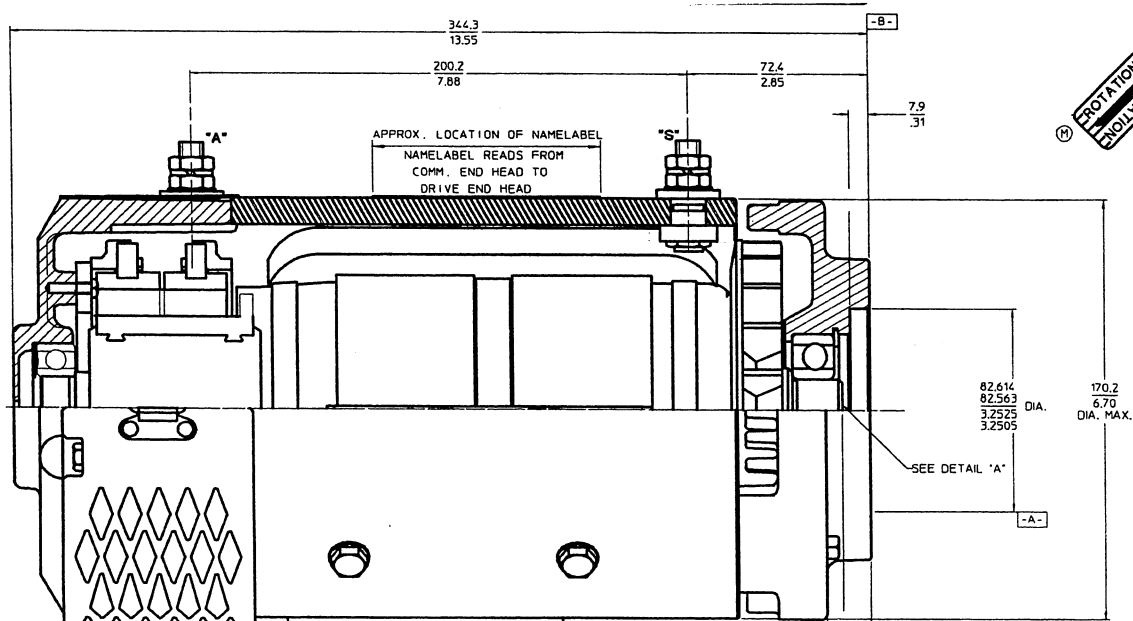


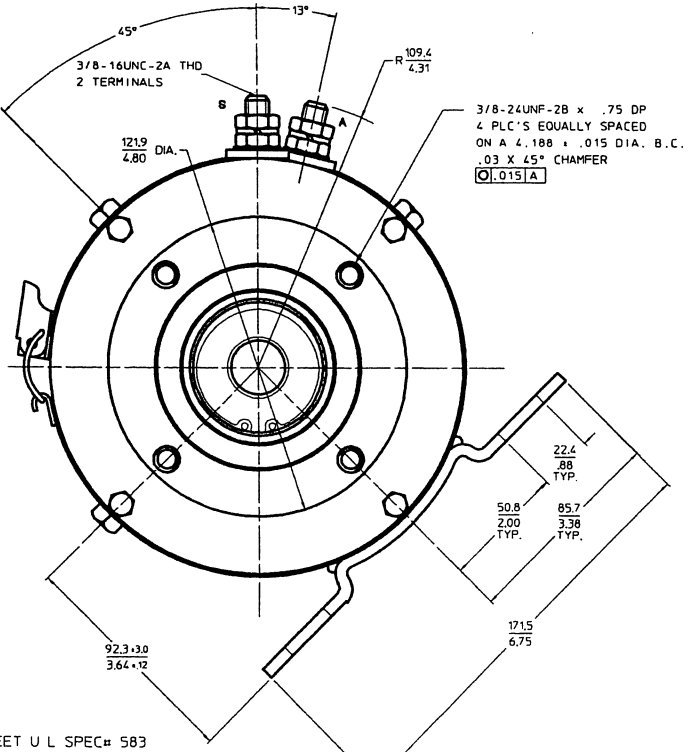
Notice - Advanced D.C. Motors, Inc. claims proprietary rights in the information disclosed on this drawing. It is issued in confidence for engineering information only and may not be used in whole or in part, to manufacture anything whether or not shown herein, reproduced or disclosed to anyone without direct written permission from Advanced D.C. Motors, Inc.

OUTLINE DIMENSIONS ARE NOMINAL UNLESS TOLERANCES ARE SPECIFIED



APPROX. LOCATION OF NAME LABEL
NAME LABEL READS FROM COMM. END HEAD TO DRIVE END HEAD

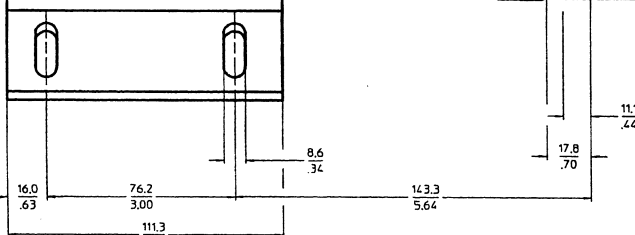
PROTATION ENROLL USE



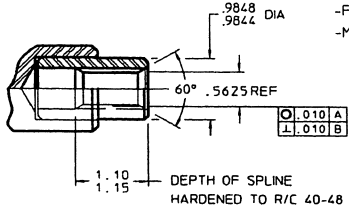
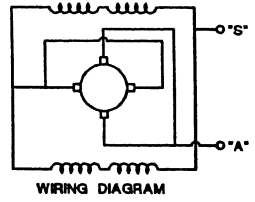
INTERNAL INVOLUTE SPLINE DATA
FLAT ROOT SIDE FIT
(PER A.N.S.I. B92.1 CLASS 5)

- NO. OF TEETH _____ 9
- SPLINE PITCH _____ 16/32
- PRESSURE ANGLE _____ 30°
- BASE DIA _____ .4871
- PITCH DIA _____ .5625
- MAJOR DIA _____ .651
- FORM DIA _____ .629
- MINOR DIA _____ .509 -.514
- PIN DIA _____ .1080
- DIM. BETWEEN PINS _____ .3972

- CIRCULAR SPACE WIDTH
- MAX ACTUAL _____ .1008
- MIN. EFFECTIVE _____ .0982



- ROTATION: C.C.W.D.E.
- CLASS 'H' INSULATION
- DESIGNED WITH INTENT TO MEET U L SPEC# 583 LATEST EDITION FOR TYPE 'E' INDUSTRIAL ELECTRIC TRUCKS
- FINISH: FRAME-BLACK ENAMEL
- END HEADS-NATURAL ALUMINUM
- PERFORMANCE CURVE: C-6
- FOR ENCLOSED MOTOR USE KIT NO: EK-0002
- MOTOR WEIGHT: 65 LB/29.5 KG



36 VOLT
MILLIMETER / INCHES OR MILLIMETER / INCHES
PROJECTION
THIRD ANGLE

Material		Rev		Date	
This drawing is the property of Advanced D.C. Motors, Inc. and acceptance of this drawing by the customer is held against the customer. Do not scale work to dimensions.					
M	ADDED ROT LABEL, P.C.R 3718	P JH	10-17-98		
L	REDRAWN AND REV. P.C.R 3718	P JH	10-17-98		
	REDRAWN IN CAD LAST REV K	EFC	10-27-98		
Zone	Rev	Was	By	Date	

Advanced D.C. Motors, Inc.
Syracuse N.Y.
Name: PUMP MOTOR
OUTLINE
Scale: FULL
Date: 10-27-98
Part No: P90

LO-7

10-27-98