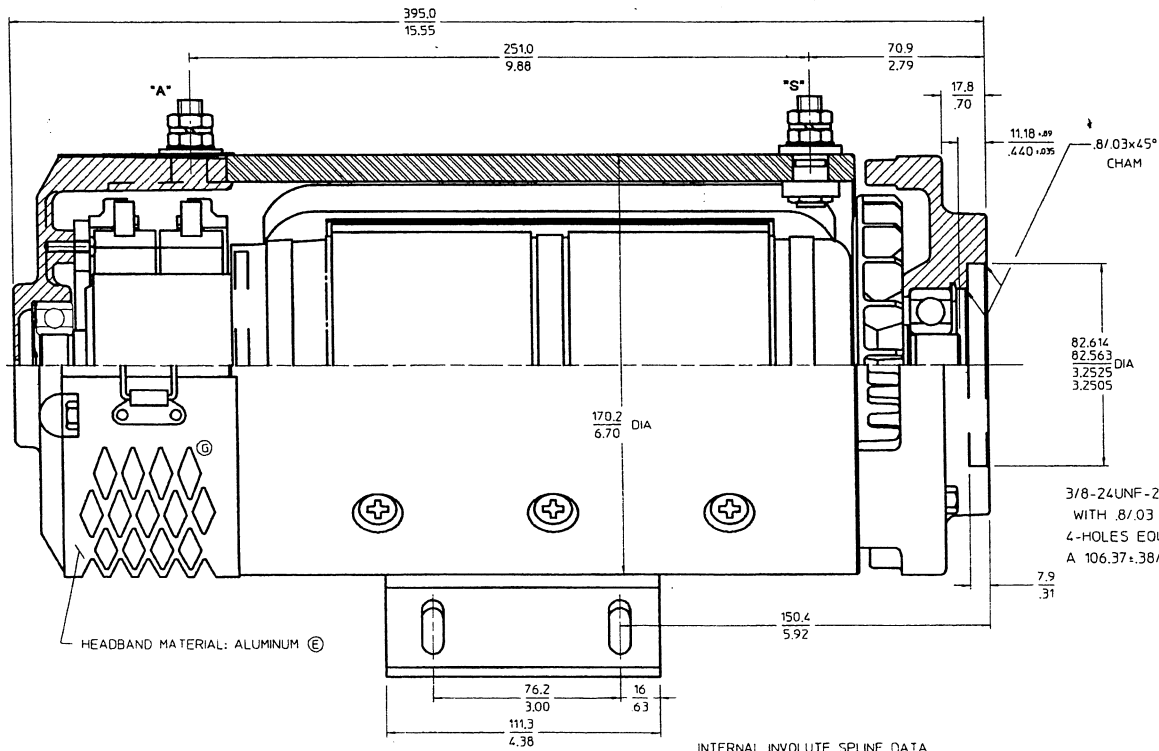


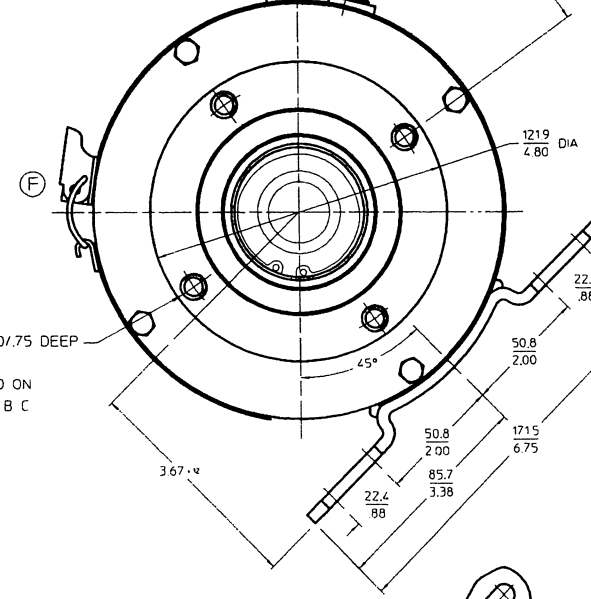
Notice - Advanced D.C. Motors, Inc. does not warrant or assume any liability for the information disclosed on this drawing. It is issued in confidence for engineering information only and may not be used, in whole or in part, to manufacture anything, whether or not shown herein, reproduced or disclosed to anyone without direct written permission from Advanced D.C. Motors, Inc.

OUTLINE DIMENSIONS ARE NOMINAL UNLESS TOLERANCES ARE SPECIFIED



APPROX. LOCATION OF NAME LABEL

3/8-16UNC-2A THREAD
2 TERMINALS

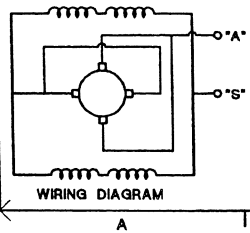
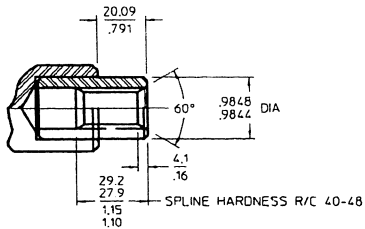


3/8-24UNF-2B THREAD 19.0/75 DEEP
WITH .87.03 x 45° CHAM
4-HOLES EQUALLY SPACED ON
A 106.37±.38/4.188±.015 DIA B C

INTERNAL INVOLUTE SPLINE DATA
FLAT ROOT SIDE FIT (PER A.N.S.I. B92.1 CLASS 5)

- NO. OF TEETH _____ 9
- SPLINE PITCH _____ 16/32
- PRESSURE ANGLE _____ 30°
- BASE DIA _____ 12.372/4.871 REF
- PITCH DIA _____ 14.287/5.625 REF
- MAJOR DIA _____ 16.53/ 651
- FORM DIA _____ 15.97/ 629
- MINOR DIA _____ 12.92-13.05/ 509 - 514

- CIRCULAR SPACE WIDTH
- MAX ACTUAL _____ 2.560/1.008
- MIN. EFFECTIVE _____ 2.494/1.0982
- MAX DIMENSION BETWEEN
- TWO PINS _____ 10.088/ 3.972
- PIN DIA _____ 2.743/1.080



MILLIMETER / INCHES OR MILLIMETER / INCHES

PROJECTION

THIRD ANGLE

Zone	Rev	Was	By	Date	Material	Rev
	J				UPDATED NOTES & LABEL PER 4-97	GLH 02-02-02
	H				ADDED WEIGHT, PER 4045	P JH 02-01-07
	G				REV HEADBAND PCR2056	EFC 09-02-98
PC31H1	F				DIRECTED LATCH, SHOW N WIRING ORIENTA	MRD 07-20-98
A-3	E				WAS NONEX HEADBAND	PCR2056 02-03-95
					REDRAWN IN CAD LAST REV 0	MM 06-16-95

This drawing is the property of Advanced D.C. Motors, Inc. and acceptance of parts pursuant to this revision do not constitute approval to disassemble.

Advanced D.C. Motors, Inc.
Syracuse, N.Y.

Name: PUMP MOTOR
OUTLINE

Size: D Scale: FULL Drawn: RWS Date: 02-08-90

Part No: L89