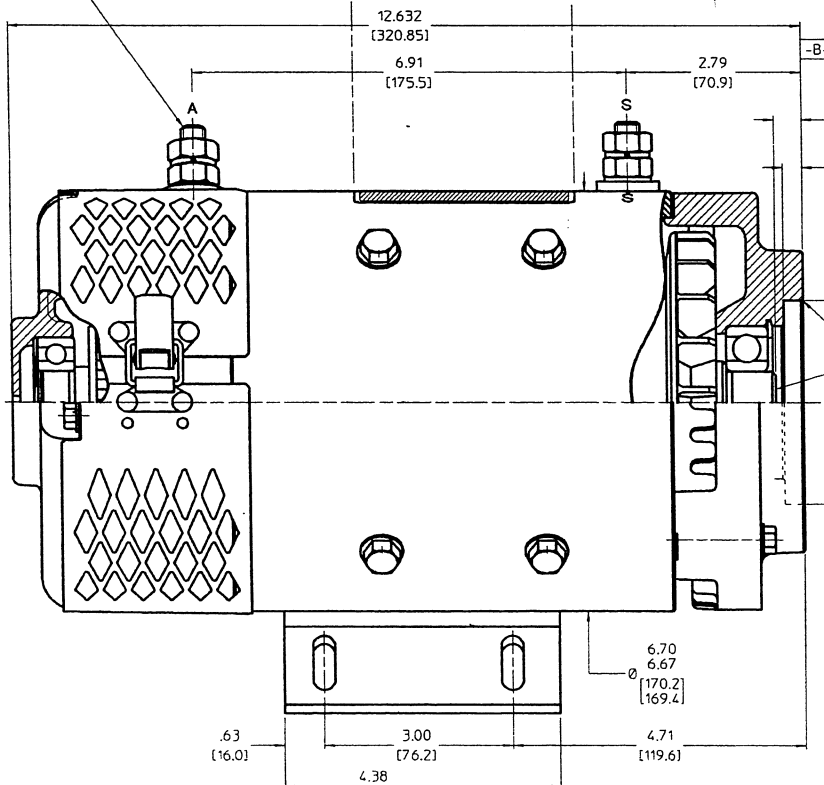
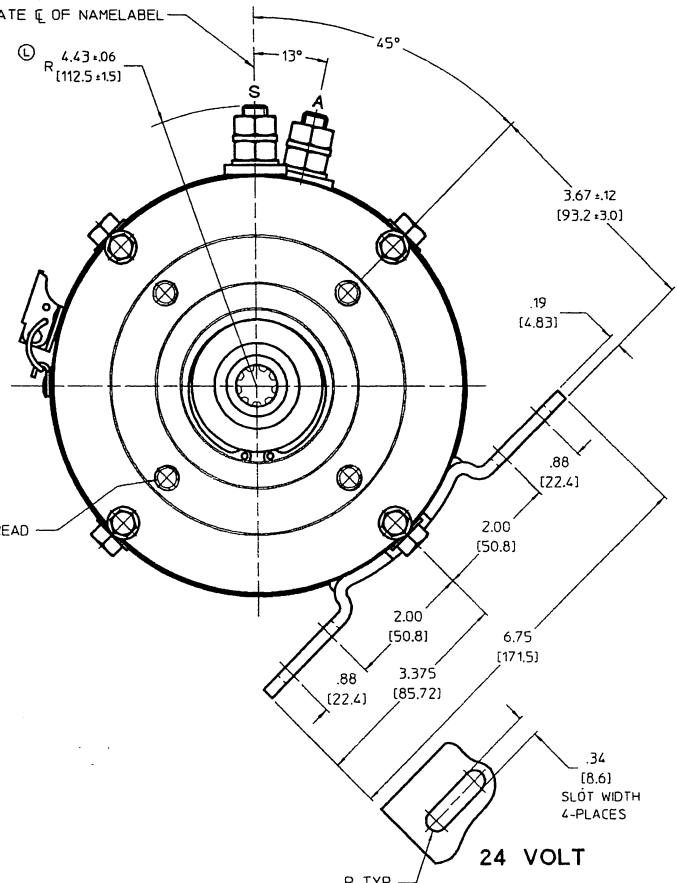


No changes allowed without express written approval of Advanced Motors & Drives (Engineering Dept) East Syracuse, N.Y. 13057

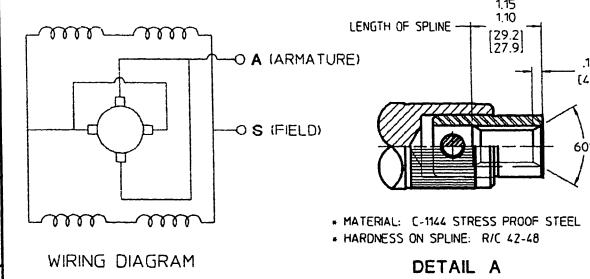
3/8-16 UNC-2A THREAD  
2-TERMINALS  
SEE DETAIL B



APPROXIMATE C OF NAME LABEL



ROTATION - C.C.W.D.E.



**INTERNAL INVOLUTE SPLINE DATA**  
FLAT ROOT SIDE FIT - TOL CLASS 5  
(PER ANSI B92.1)

No OF TEETH	9
SPLINE PITCH	16/32
PRESSURE ANGLE	30°
BASE DIA	.4871 (12.372) REF
PITCH DIA	.5625 (14.288) REF
MAJOR DIA	.651 (16.54) MAX
FORM DIA	.629 (15.98)
MINOR DIA	.514-.509 (13.06-12.93)
CIRCULAR SPACE WIDTH	
MAX ACTUAL	.1008 (2.560)
MIN EFFECTIVE	.0982 (2.494)
MEASUREMENT	
MAX BETWEEN PINS	.3972 (10.089) REF
PIN DIA	.1080 (2.743)

⓪ .010 (0.25) | A  
| .010 (0.25) | B

Material:		Q'd by:	
Reference:	J94-4004	Q'd Date:	
OUTLINE DIMENSIONS ARE NOMINAL UNLESS TOLERANCES ARE SPECIFIED			
Rev	5143	WAS 4.31 / UPDATED DRAWING	JDS 06-03-08
PCR No		Change Description	By Date
This print is the property of Advanced Motors & Drives and is issued in confidence for engineering information only. This document shall not be used or disclosed without direct written permission from Advanced Motors & Drives.			

INCHES (MILLIMETERS)  
- OR -  
INCHES (MILLIMETERS)

PROJECTION  
THIRD ANGLE

**Advanced Motors & Drives**  
A Kinetek Company  
6284 East Moly Rd  
East Syracuse, NY 13057

Name: **TRACTION MOTOR OUTLINE**

SIZE	Scale	Drawn By	Date
<b>D</b>	FULL	TMC	10-04-89

Part No: **J90**

10-01

XP-1005