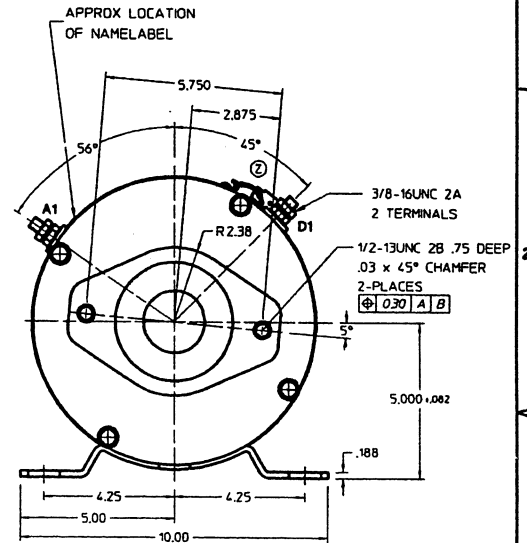
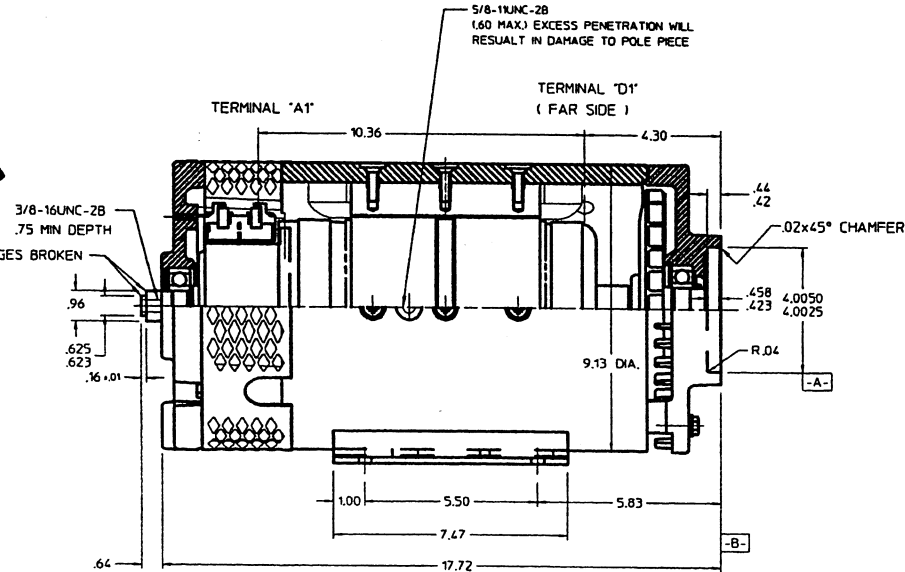
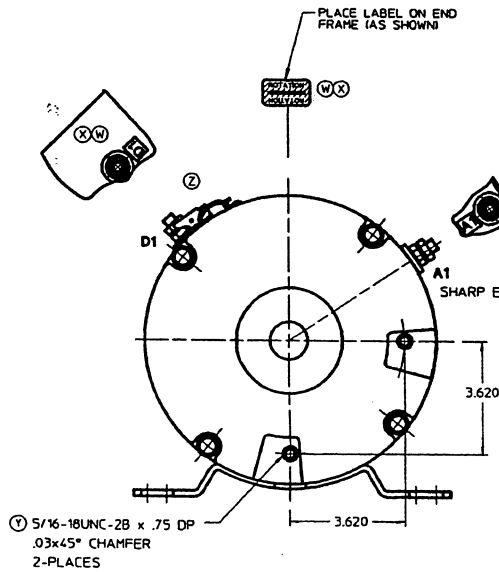
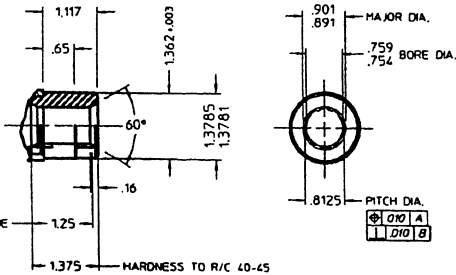


Notice - Advanced D.G. Motors, Inc. claims proprietary rights in the information disclosed on this drawing. It is issued in confidence for engineering information only and may not be used, in whole or in part, to manufacture anything, whether or not shown herein, reproduced or disclosed to anyone without direct written permission from Advanced D.G. Motors, Inc.

OUTLINE DIMENSIONS ARE NOMINAL UNLESS TOLERANCES ARE SPECIFIED



① 5/16-18UNC-2B x .75 DP
.03x45° CHAMFER
2-PLACES

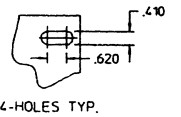


INTERNAL INVOLUTE SPLINE DATA
FLAT ROOT SIDE FIT (PER A.N.S.I. B92.1 CLASS 5)

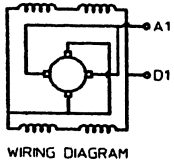
NO. OF TEETH _____ 13
SPLINE PITCH _____ 16/32
PRESSURE ANGLE _____ 30°
BASE DIA _____ .7036
PITCH DIA _____ .879

CIRCULAR SPACE WIDTH
MAX ACTUAL _____ .008
MIN. EFFECTIVE _____ .0982
MAX DIMENSION BETWEEN TWO PINS _____ .6546/.6516
PIN DIA _____ .1080

- PERFORMANCE CURVE: C-17
- ROTATION - C.W.D.E
- CLASS 'H' INSULATION
- DESIGNED WITH INTENT TO MEET UL SPEC # 583
- LATEST EDITION FOR TYPE 'E' INDUSTRIAL ELECTRIC TRUCKS
- VENTILATED MOTOR WITH FAN
- SAE J744C TYPE 'B' MOUNTING FLANGE
- FINISH: FRAME - BLACK PAINT
END HEADS - NATURAL ALUMINUM



72 VOLT



MILLIMETER / INCHES OR		MILLIMETER / INCHES	PROJECTION THIRD ANGLE
Advanced D.G. Motors, Inc. Syracuse, N.Y.			
Name: PUMP MOTOR OUTLINE			
Scale: 1/2	Drawn: RWS	Date: 12-12-89	
Part No: FA0			

Zone	Rev	Was	By	Date
	Z	CORRECTED HB LATCH PCR-4275	JOS	03-10-01
	Y	WAS V2-13 UNC PCR 3674	P.J.H	09-27-01
	X	WAS REV A PCR-3579	JOS	05-18-00
	W	MOVED LABEL PCR 7549	T.J.R	04-27-00
		REVISED & REBRAN LAST REV V	R.J.H	07-14-97