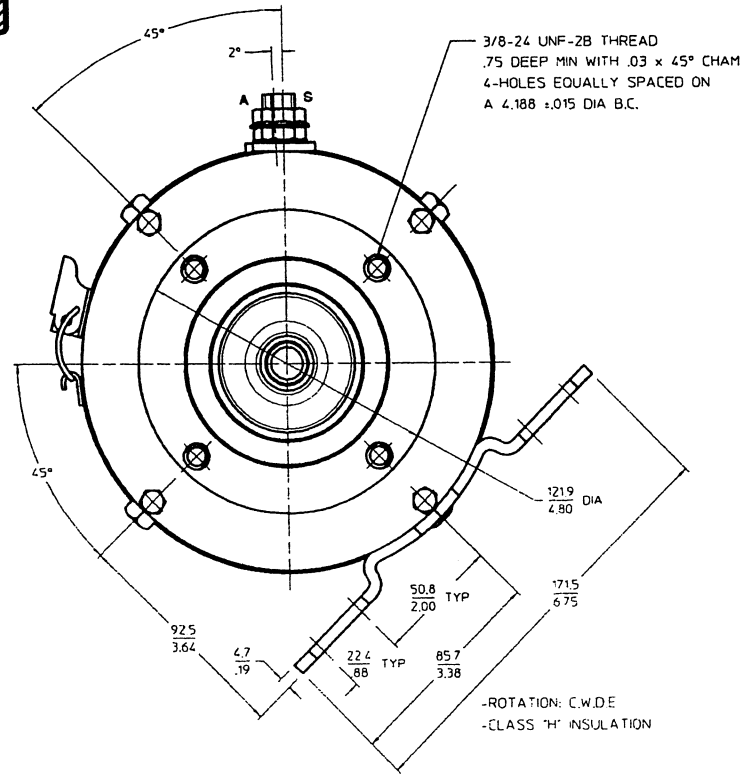
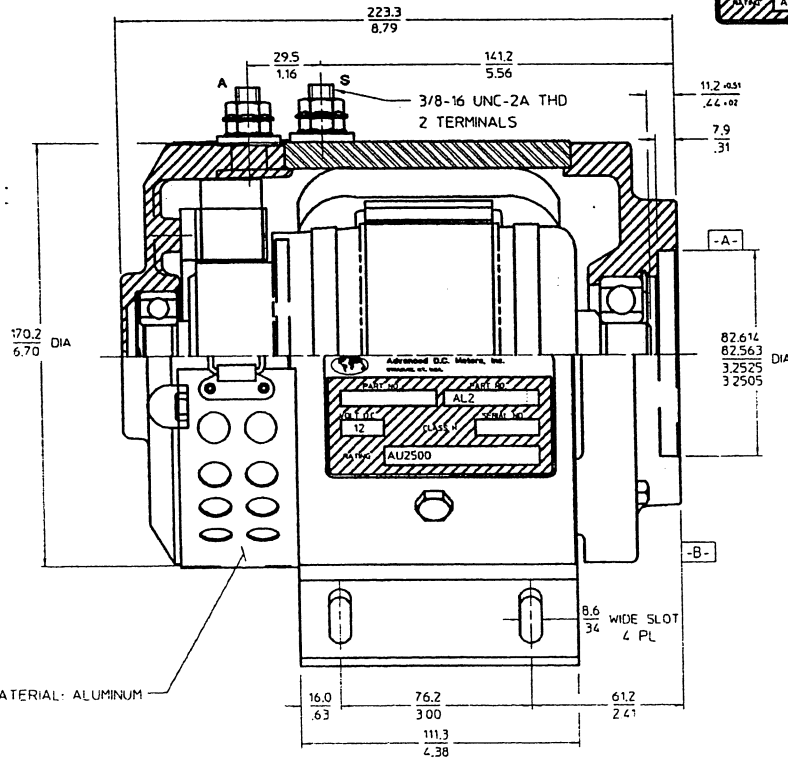
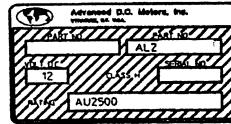


Notice - Advanced D.C. Motors, Inc. claims proprietary rights in the information disclosed on this drawing. It is issued in confidence for engineering information only and may not be used in whole or in part, to manufacture anything whether or not shown thereon, reproduced or disclosed to anyone without direct written permission from Advanced D.C. Motors, Inc.

OUTLINE DIMENSIONS ARE NOMINAL UNLESS TOLERANCES ARE SPECIFIED



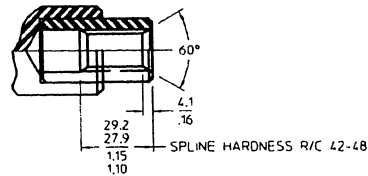
⊗ HEADBAND MATERIAL: ALUMINUM

INTERNAL INVOLUTE SPLINE DATA  
FLAT ROOT SIDE FIT (PER A.N.S.I. B92.1 CLASS 5)

- NO. OF TEETH ..... 9
- SPLINE PITCH ..... 16/32
- PRESSURE ANGLE ..... 30°
- BASE DIA ..... 4871 REF
- PITCH DIA ..... 5625 REF
- MAJOR DIA ..... .651
- FORM DIA ..... .629
- MINOR DIA ..... 509 -.514

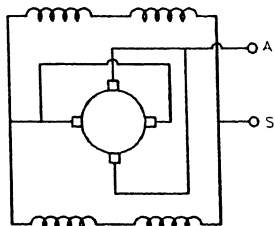


- CIRCULAR SPACE WIDTH
- MAX ACTUAL ..... .1008
- MIN. EFFECTIVE ..... .0982
- MAX DIMENSION BETWEEN TWO PINS ..... 3972
- PIN DIA ..... .1080



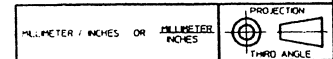
-ROTATION: C.W.D.E  
-CLASS "H" INSULATION

-FOR TOTALLY ENCLOSED MOTOR USE KIT# EK-0008



WIRING DIAGRAM

12 VOLT



MILLIMETER / INCHES OR MILLIMETER / INCHES		PROJECTION	
Advanced D.C. Motors, Inc. Gyrfocus N.Y.		Name PUMP MOTOR OUTLINE	
Scale D FULL	Drawn TMC	Date 02-17-92	Part No AL2
REL TO PROD RN 292	EH	06-01-98	
Zone	Rev	Was	By Date

LO-94

1160