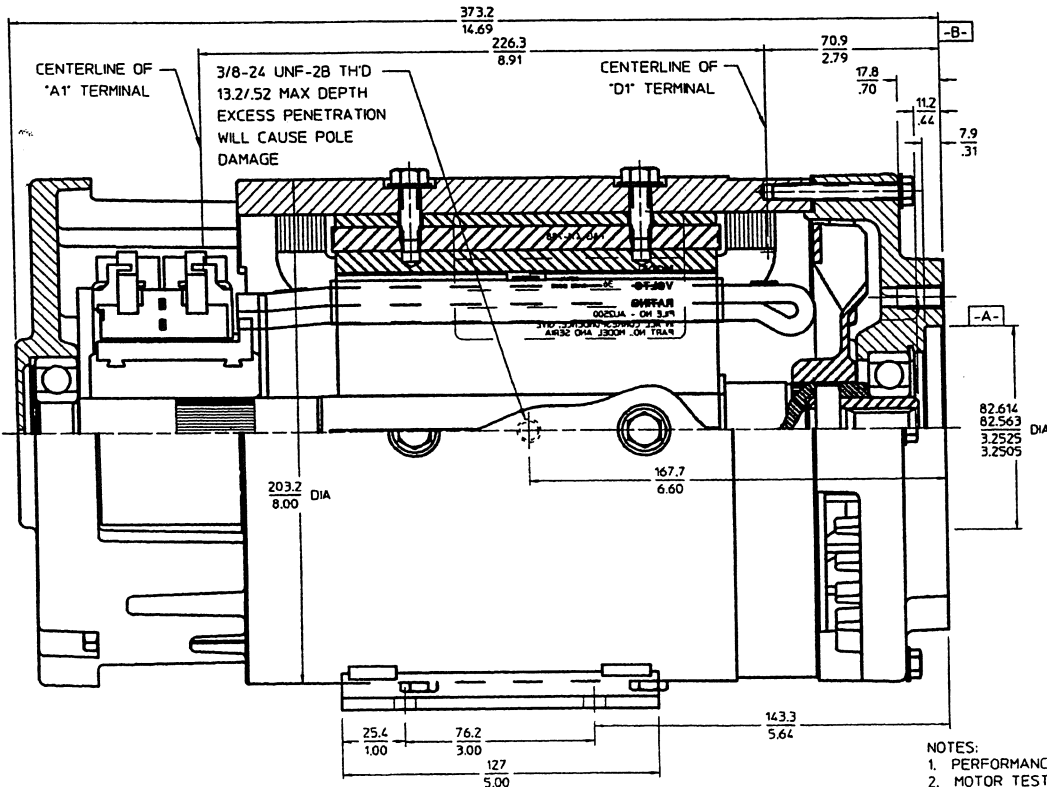
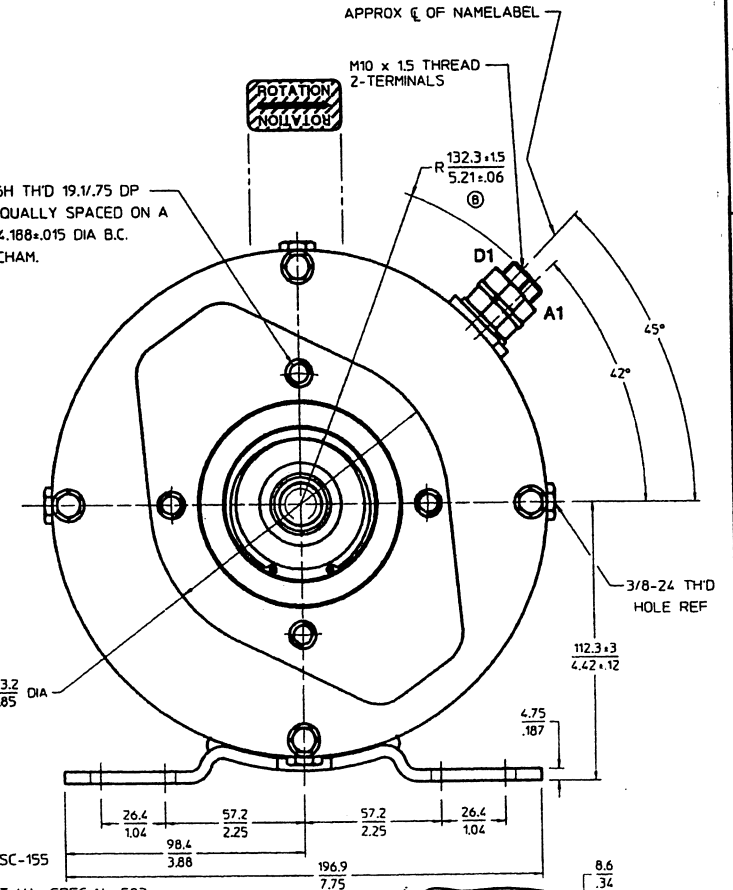


Notice - Advanced D.C. Motors, Inc. claims proprietary rights in the information disclosed on this drawing. It is issued in confidence for engineering information only and may not be used, in whole or in part, to manufacture anything, whether or not shown hereon, reproduced or disclosed to anyone without direct written permission from Advanced D.C. Motors, Inc.

OUTLINE DIMENSIONS ARE NOMINAL UNLESS TOLERANCES ARE SPECIFIED

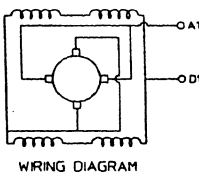


M8 x 1.25-6H THD 19.1/.75 DP  
4-HOLES EQUALLY SPACED ON A  
106.37 x .38/4.188 x .015 DIA B.C.  
.03 x 45° CHAM.



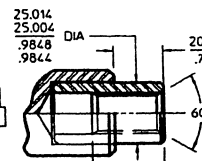
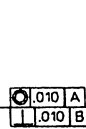
- NOTES:
- PERFORMANCE CURVE: C-34
  - MOTOR TEST SPECIFICATIONS: SC-155
  - CLASS 'H' INSULATION
  - DESIGNED WITH INTENT TO MEET U.L. SPEC No 583 LATEST EDITION FOR TYPE 'E' & 'EE' INDUSTRIAL ELECTRIC TRUCKS
  - VENTILATED MOTOR WITH INTERNAL FAN (TYPE 'E')
  - FOR TOTALLY ENCLOSED MOTOR (TYPE 'EE') USE ENCLOSING KIT EK-0022
  - FINISH: FRAME - BLACK PAINT  
END HEADS - NATURAL ALUMINUM
  - MOTOR WEIGHT: 108 LBS (49.0 KG)

ROTATION - C.W.D.E.



INTERNAL INVOLUTE SPLINE DATA  
FLAT ROOT SIDE FIT (PER A.N.S.I. 892.1 CLASS 5)

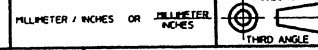
No OF TEETH	11
SPLINE PITCH	16/32
PRESSURE ANGLE	30°
BASE DIA	15.120/5953 REF
PITCH DIA	17.462/6875 REF
MAJOR DIA	19.71/776
FORM DIA	19.15/754
MINOR DIA	16.02-16.15/631-.636
CIRCULAR SPACE WIDTH	
MAX ACTUAL	2.560/1008
MIN. EFFECTIVE	2.494/0982
MAX DIMENSION BETWEEN	
TWO PINS	13.357/5259
PIN DIA	2.743/1080



DETAIL "A"

29.2/1.15  
27.9/1.10  
SPLINE HARDNESS R/C 42-48

48 VOLT



Material	Aluminum				
Part No	203-01-0004				
This part is the property of Advanced D.C. Motors, Inc. and is loaned to you for your use only. It is not to be used for any other purpose without the express written consent of Advanced D.C. Motors, Inc.					
Rev	B	NO TERS & ADDED ON FOR 476	JDS	08-13-97	
Rev	A	WAS P/N EK-0005 P/R 3050	DHL	12-04-98	
Rev	RJM	RELEASED TO PROD LAST REV A	RHW264	11-20-97	
Zone	Rev	Was	By	Date	RAYMOND PART No: 570-341/500

Advanced D.C. Motors, Inc. Syracuse N.Y.		
PUMP MOTOR OUTLINE		
Scale	Drawn	Date
D FULL	RJM	06-21-96
Part No	203-01	

637-DX