



Advanced Motors & Drives

A Kinetek Company®



GOLF CAR TRANSAXLE

ADVANCED MOTORS & DRIVES TRANSAXLE PROVIDES SMOOTH TRANSFER OF POWER FROM AC OR DC MOTOR.

Durability and quiet operation — permanent lubrication and an 11% wider gear face than the competition make this transaxle the best choice for golf cars and site utility vehicles.

Our sealed transaxle utilizes high grade lubricant to provide a “fill for life” unit which means the fluid will never need to be changed. The direct results are reduced maintenance cost and more time in productive service.

Advanced Motors and Drives transaxle offers multiple mounting configurations so, no matter what your car design, we have a solution. Multiple gear ratio selections ensure the correct torque for your application. Lower ratios for high torque DC applications and higher ratios to suit high rpm capability of AC applications.

Every transaxle is dyno-tested prior to leaving the manufacturing facility to ensure superior quality.

Advanced Motors & Drives continues to grow significantly in the golf car and utility vehicle market both from the development of new products and expansion of global markets. With its global manufacturing and supply-chain capability, establishing sales and distribution, and broad technical expertise, Advanced Motors and Drives provide customers top quality products that add value globally - now and in the future.

Available Gear Ratios

- 10:1
- 12.375:1
- 16.25:1

Features

- Quiet operation from ground gearing
- Light weight aluminum housing- 56 lbs (25.5 kg)
- Durable- high torque carrying capacity*
- 19 tooth or 10 tooth input spline
- Ground gearing not hobbed and shaved
- Heat treated gearing
- Dual output bearing
- High strength axle tubes
- Mechanical or hydraulic brakes available

Applications

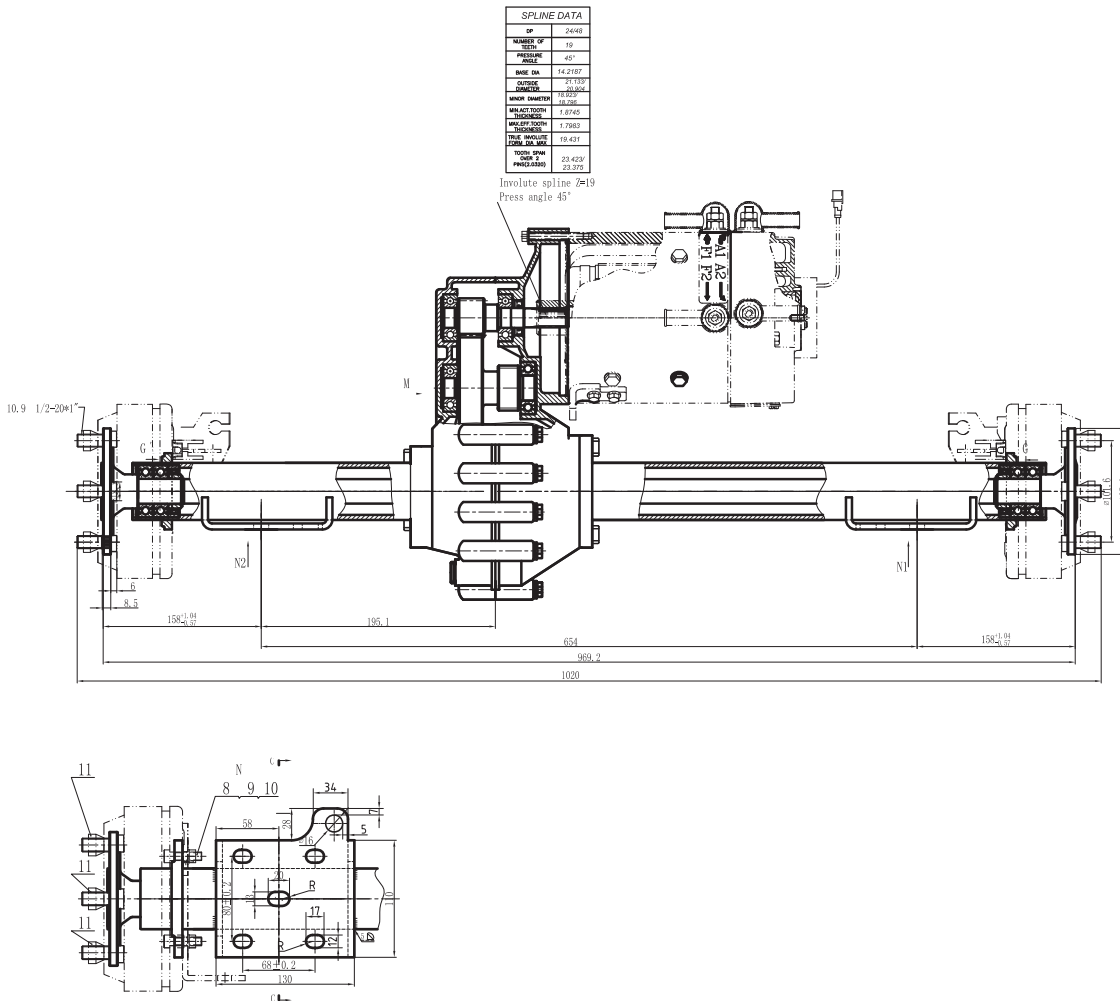
- Golf car
- Utility vehicle
- Neighborhood Electric Vehicle (NEV)

* differs with ratio



GOLF CAR TRANSAXLE

DIMENSIONAL DIAGRAM



Advanced Motors & Drives®

A Kinetek Company®

Corporate Headquarters

6268 E. Molloy Road
East Syracuse, NY 13057

315.434.9303 direct
315.432.9290 fax

info@adcmotors.com
www.adcmotors.com